

RAPID RAC™
G10

PV's Universal Flat Roof Solution

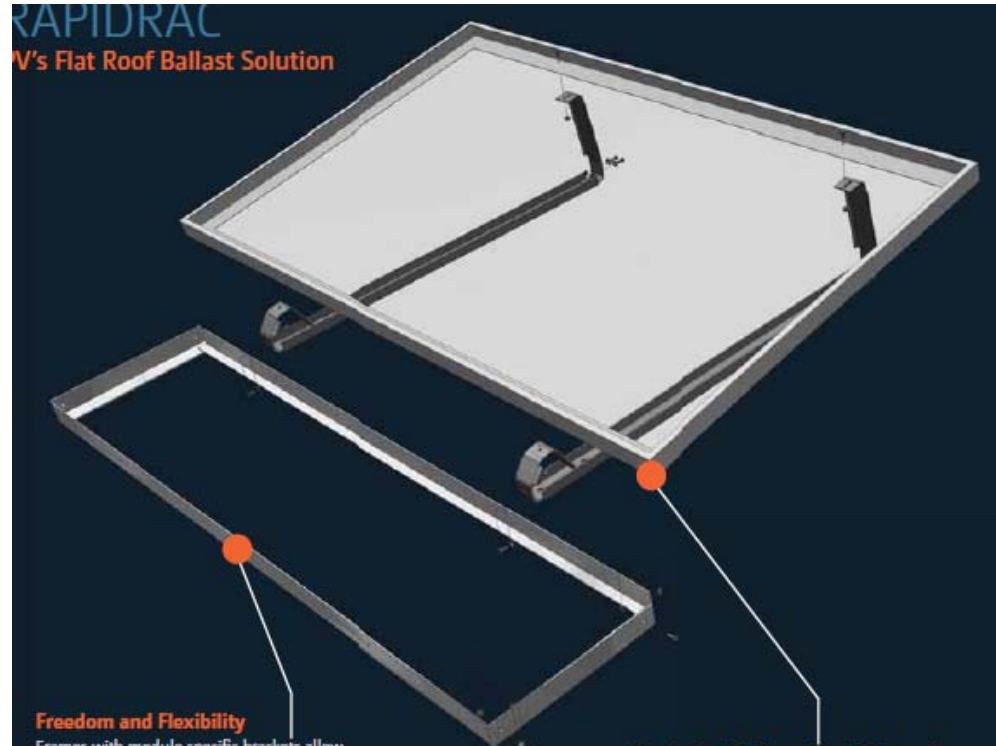
What is the **RAPIDRAC™** G10 ?

- Commercial flat roof racking system
- Installs majority of PV modules
- Product designed with customer input



What is the **RAPIDRAC™** G10 ?

- Meets wind requirements up to 120 mph
- Wind tunnel tested
- Limited or Zero penetrations



RapidFoot

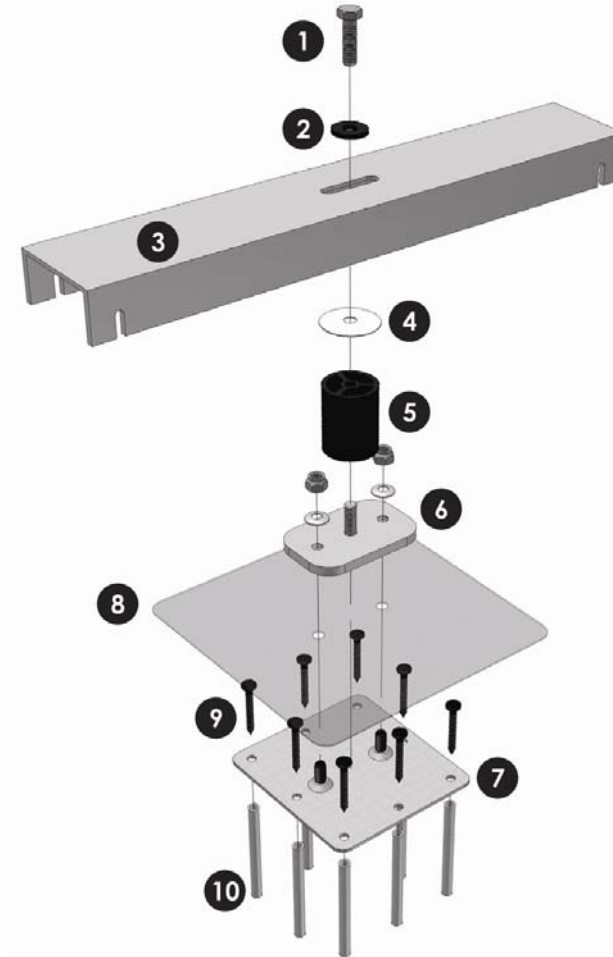
Components

RapidFoot:

1. 3/8" x 1-1/4" Bolt
2. 3/8" x 1/8" x 1-1/2" Washer
3. Clamp Bar
4. EPDM Washer
5. Standoff
6. Rapid Top Plate
7. Rapid Base Plate

Accessories:

8. Flashing
9. Concealer Screw
10. Ferrules
11. Anchors (not pictured)



RapidFoot

Installation

